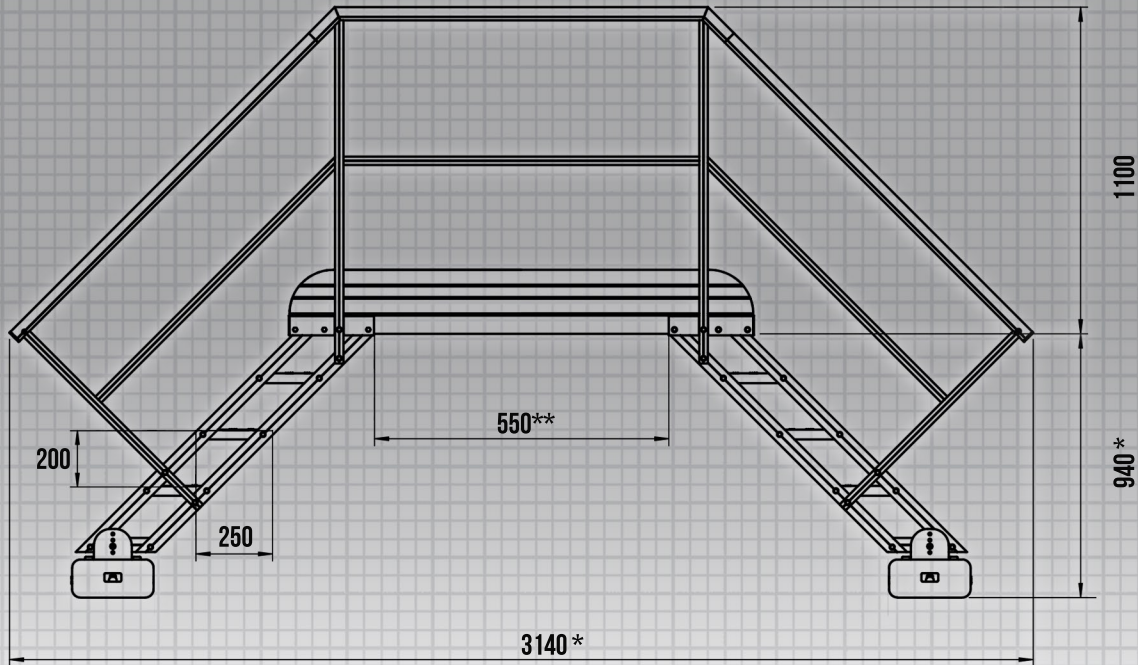


**CROSSOVER**

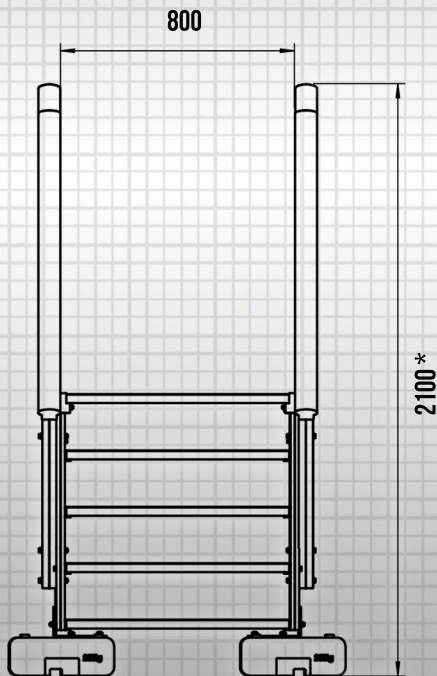
# LADDER



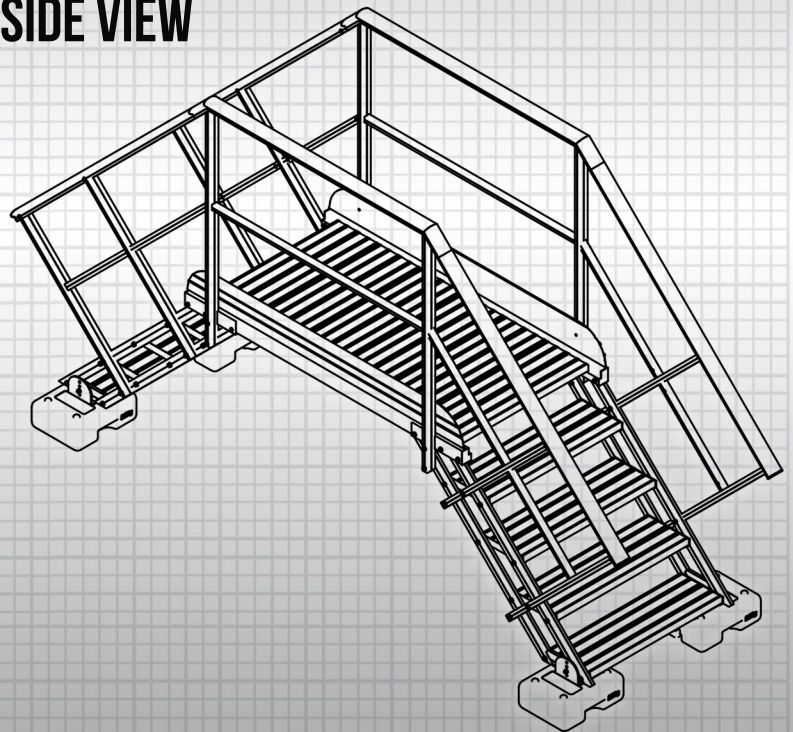
EN14122-4 : 2016



**SIDE VIEW**



**FRONT VIEW**



**ISOMETRIC VIEW**

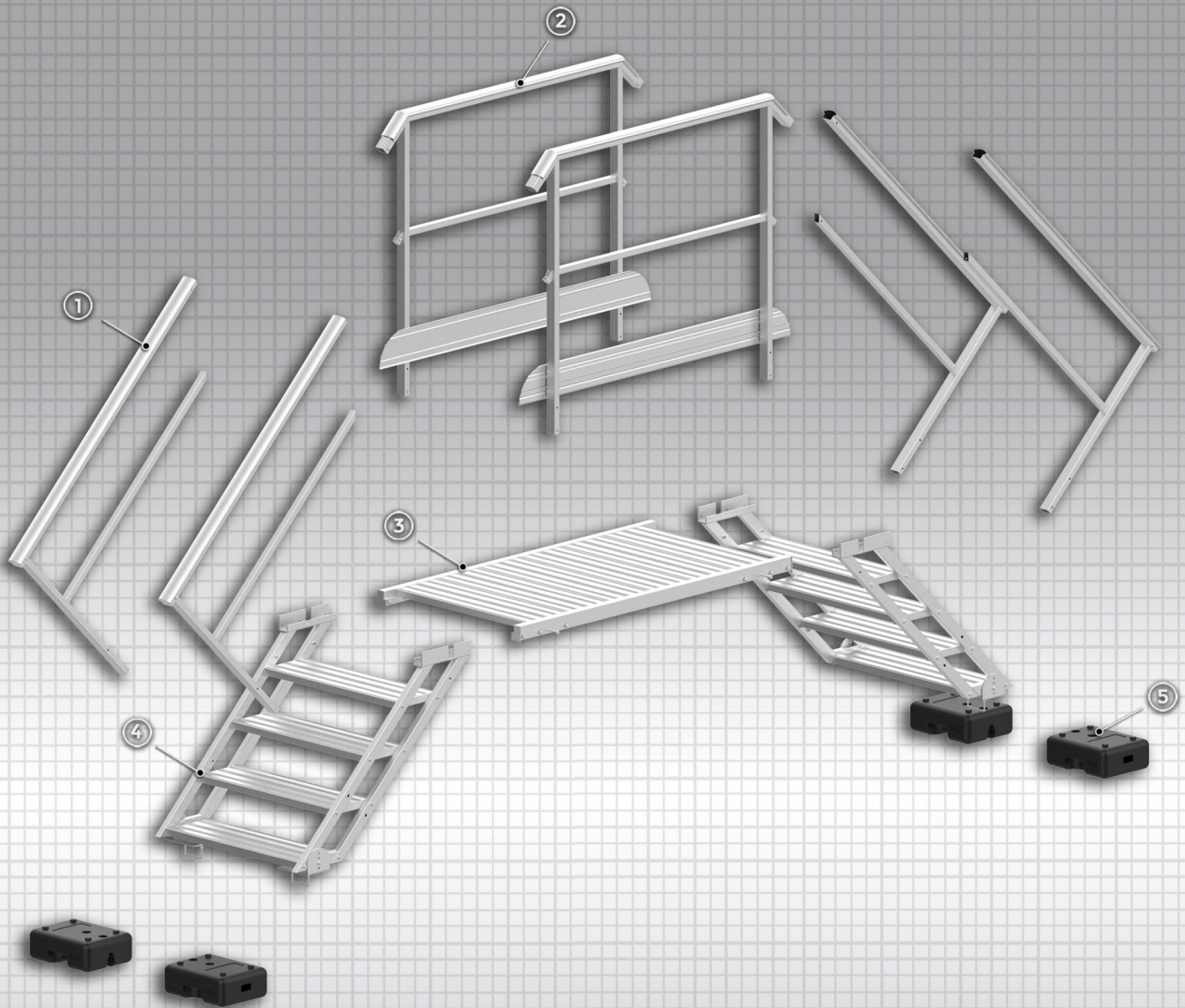
**LONGDYES**  
**CROSSOVER LADDER**  
EN 14122-4 : 2016

Crossover ladders can help get people up and over busy work areas, heavy traffic, danger zones and other obstacles or hazards. Select a crossover ladder with perforated or serrated steps and platforms to help improve footing and prevent slips and falls.

\* These values will be different due to the number of steps (2-8 steps)

Number of steps	Platform height	Over all dimensions
2	540	2340 x 1700
3	740	2740 x 1800
4	940	3140 x 2100
5	1140	3540 x 2300
6	1340	3940 x 2500
7	1540	4340 x 2700
8	1740	4740 x 2900

\*\* If adopted in a length of 1500mm platform, the value should be 1050mm



① **Stair guardrail**

*Clear space between railings and stringer is 500mm*

② **Platform guardrail**

*Height 1100mm, length, apply to platform size*

③ **Platform**

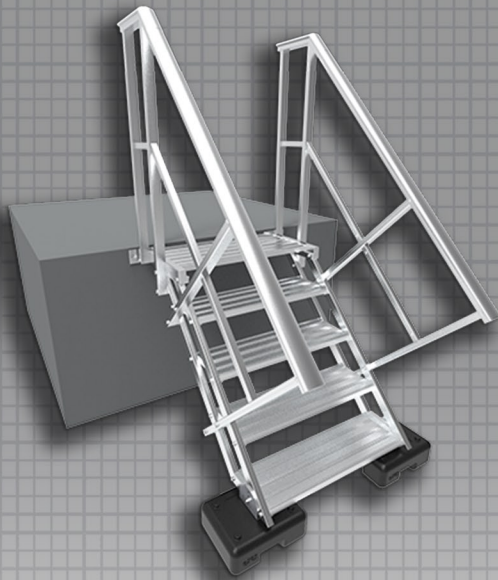
*Optional: 1000mm/1500mm*

④ **Stair modular**

*Optional: 2 steps to 8 steps ladder modulars.*

⑤ **Counter weight**

*25KG, HDPE shell, concrete filled in*

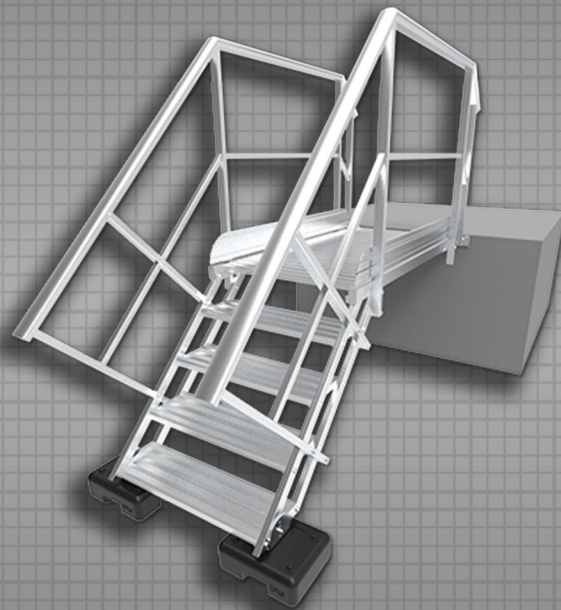


## SHIPS LADDER

*Simplest way to get on higher level, number of steps can be customized*

## INCLINED FIXED LADDER WITH WALKWAYS

*Perferable way to get on higher level when there's pipeline or obstacle underneath the walkways, number of stops can be customized.*



## UNEQUEAL STAIR LADDER

*A security way to cross over a parapet or obstacles and reach different level, number of steps can be customized.*



[www.longdyes.com](http://www.longdyes.com)



### OFFICE

ROOM 3006, TOWER 3, EXCELLENCE CENTURY CENTER,  
NO.31 LONGCHENG ROAD, QINGDAO, CHINA

PHONE: +86 532 83932416  
MAIL: [info@longdyes.com](mailto:info@longdyes.com)

### FACTORY

NO.8 BAOLULAI ROAD,  
QINGDAO, CHINA